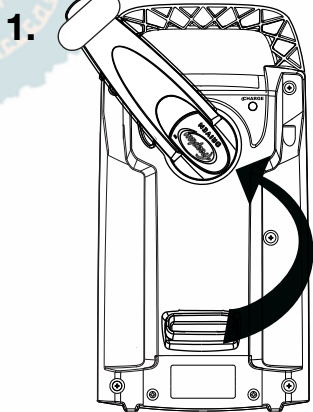
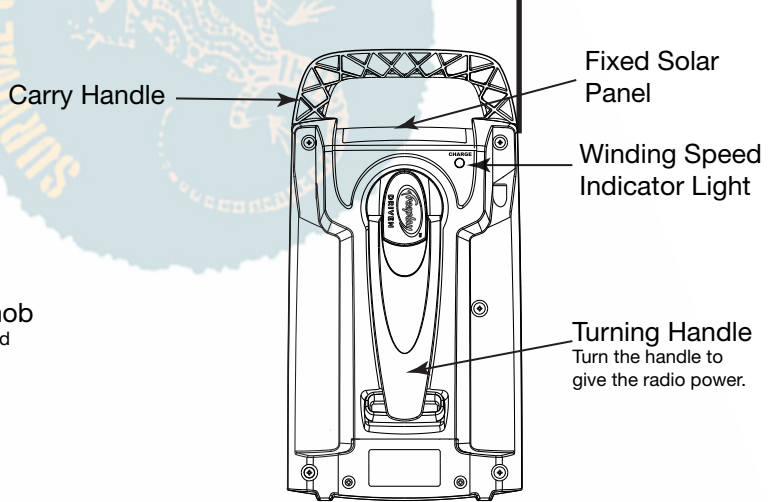
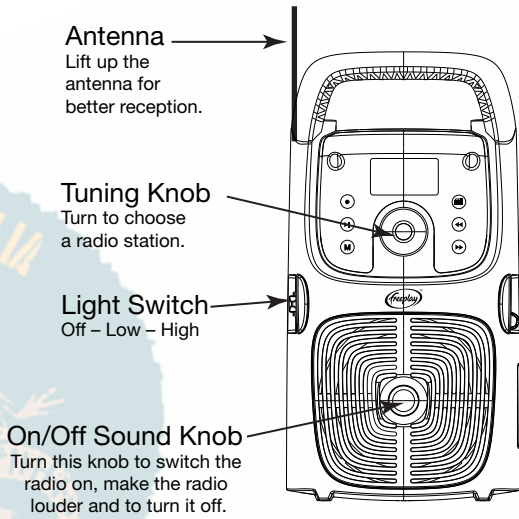




HOW TO USE YOUR FREEPLAY ENCORE WIND-UP AND SOLAR POWERED RADIO AND MP3 PLAYER

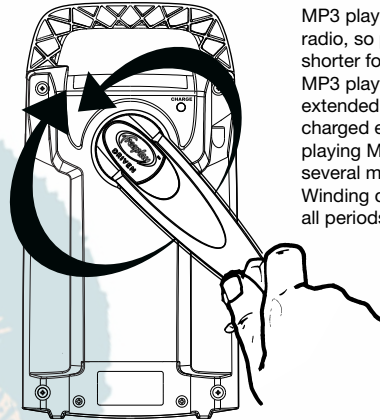


If Player runs out of power while you are listening to it, first switch it off before you recharge it with the wind-up handle or the solar panel.



1. Fold the handle out so that it is flat against the back of the radio.

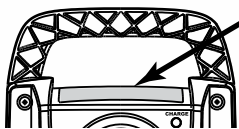
2. Turn the handle to the right of left. The turning speed must be about 120 RPM (revolutions per minute) or faster. The faster you turn and the more times you turn the handle, the longer the radio will play. The handle must be turned hard enough so that the green light on the back of the radio shines brightly. For every 120 turns at 120RPM (ie 1 minute of winding), the radio will play for about 45 to 60 minutes at normal volume.



MP3 playing uses more power than the radio, so playtimes in MP3 will be much shorter for the same winding. To extend MP3 playtimes winding times must be extended. If the battery is not well charged eg by solar energy, before playing MP3 files, wind the radio for several minutes to charge the battery. Winding does not have to be continuous, all periods of winding add up.

How to Use the Fixed Solar Panel and the External Solar Panel

Fixed Panel.

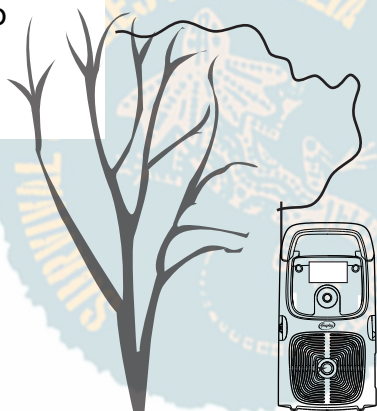


Place the radio in the sun so that the sunlight falls onto the solar panel on the top/back of the radio.

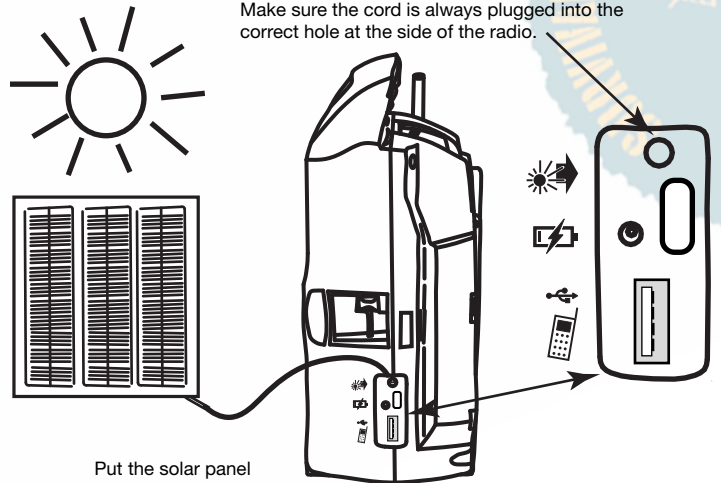
External Panel. The solar panel will only work if it is plugged into the hole on the side of the radio. The solar panel needs to be placed in direct sunlight to give the Player power.

How to Use the Extension Antenna

For weak signals, the use of this wire improves the reception. Place the long wire high up. Clip the wire to the radio antenna.



Make sure the cord is always plugged into the correct hole at the side of the radio.

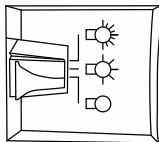


Put the solar panel in direct sunlight.

How to Turn on the Light and to Replace the Telescopic Antenna (if supplied).

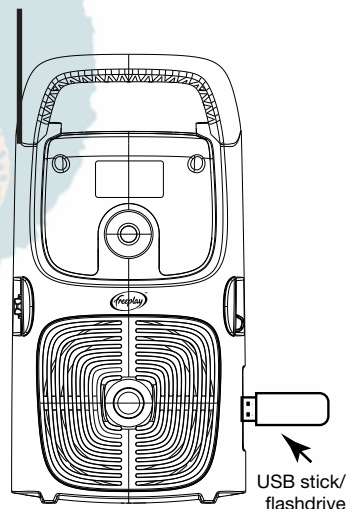
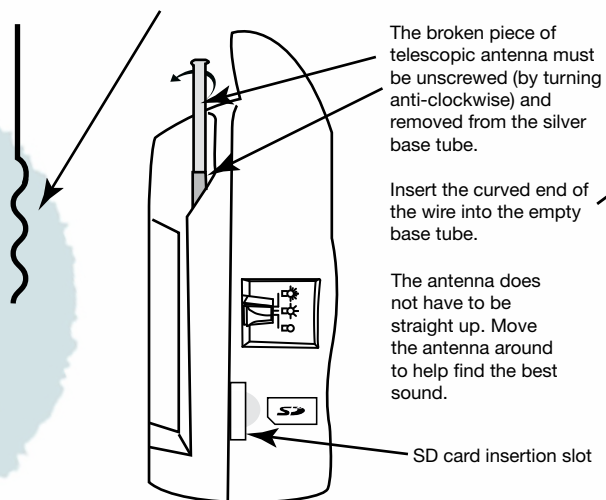
Lights

The light switch turns on the LED lights on the front of the radio. This switch has three positions. Off, Low, High.



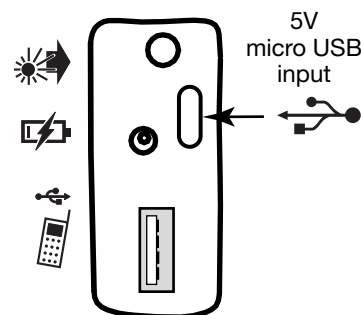
Telescopic Antenna

If the telescopic antenna breaks, it should be replaced with the wire antenna.



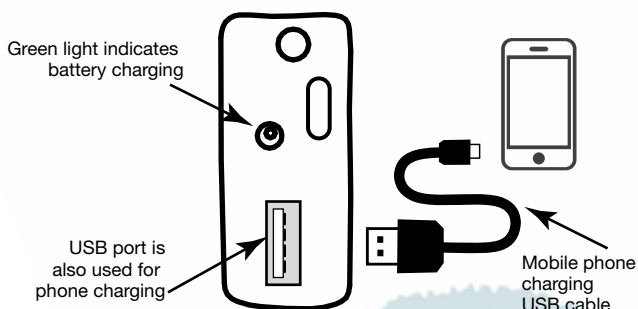
How to Recharge the Radio from a USB source, (eg. A mobile phone charging adaptor with micro USB plug)

If external power is available from a micro USB source, insert the plug into the correct hole on the side of the radio. Unplug the adaptor when charging is complete. Charging should take 5 to 6 hours when the radio is switched off. The radio may also be played with the USB adaptor plugged in.

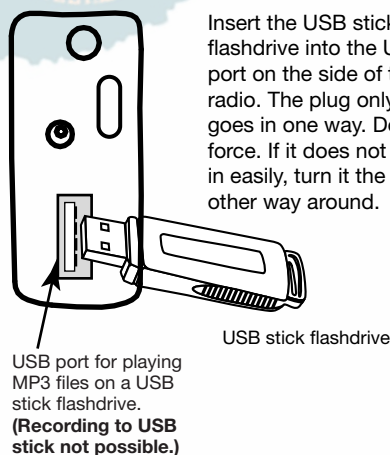


How to Recharge a Mobile Phone

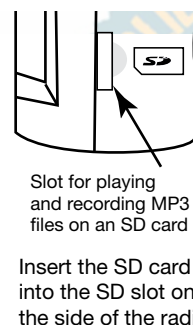
The radio's power system can also be used to recharge a mobile phone. To do this, the radio battery first needs to be charged. Charge the radio battery by placing the solar panel in the sun for a few hours or by winding the handle for a few minutes.



Using an SD card or USB stick flashdrive to play MP3 files

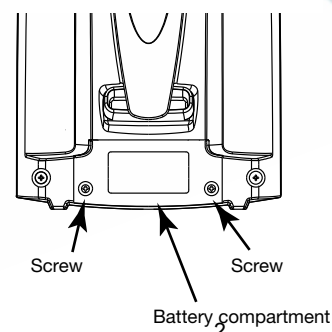


Recording to an SD card



Replacing the battery

This is the battery compartment. To replace the battery, unscrew these two screws, and remove the cover. Remove the battery and gently unplug it. Keep the foam rubber for the new battery. Plug in the new battery taking care that the shape of the battery plug is in the right orientation to the shape of the socket in the compartment. Do not force the plug. Replace the cover, put in the new screws and tighten.



How to use your Freeplay Encore MP3 Player

Red dot

Record start, record stop.
Records from radio or microphone.

Play/pause

goes down one menu level,
or plays file, also pauses
during play.

M

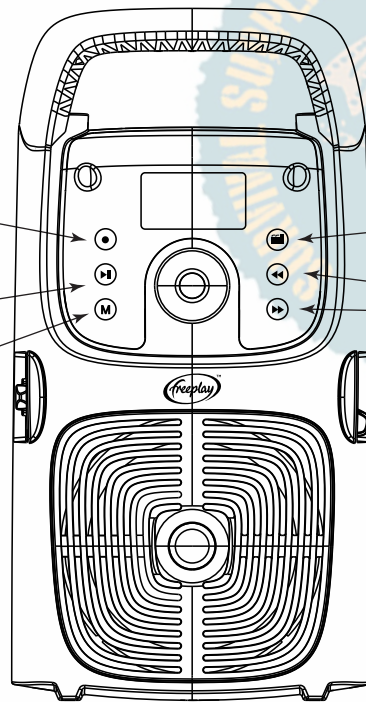
Mode, radio or MP3

Folder

goes up/back one menu level.

Double arrows

scroll within the present menu level,
up or down. When playing, **hold down**
double arrows for FF and REW.
When playing, **short press** skips
to beginning of next, or previous,
song/file.



MP3 Operation

The Radio uses a USB stick or a standard SD card as memory. The SD card is inserted into the SD slot under the rubber seal, on the side of the radio. The USB stick is inserted into the port on the other side of the radio. These devices may contain pre-recorded material which the Radio accesses for playing. The SD card is used to store recordings made from the radio or microphone. **Recording to USB stick is not possible.**

- **REC.** Press once to start recording and once to stop recording. Records from radio when in radio mode and from microphone when in MP3 mode.
- ⏮ **Play/pause.** Goes **down** to next level, or **enters** file/song.
- Ⓜ **M.** Mode. Switches between radio and MP3
- 📁 **Folder.** Goes up/back one menu level.
- ⏪ **REW.** 3 functions. Scrolls up folder/-file menu page. **Hold down** button for fast rewind during play. **Short press** the button during play skips to previous file/song.
- ⏩ **Forward.** 3 functions. Scrolls down folder/file menu page. **Hold down** button for fast forward during play. **Short press** the button during play skips to next file/song.

MP3 Instructions

- Switch unit on. If an SD card or USB stick is inserted, the Radio will go to MP3 mode. If no SD card or USB stick is inserted, the Radio will go to radio mode.
- If both an SD card and USB stick are inserted, Player will select the last device inserted. To switch between the two, remove the device not wanted.
- Short **press M** switches between radio and MP3.
- **Note:** Radio will **only** enter MP3 mode if an SD card is or USB stick inserted.
- If Radio has been switched off MP3 mode will begin at main MP3 menu. If Radio has remained on, on re-entry into MP3, Radio restarts at the same place in the last file/song played.
- **Press "folder"** to go **up** into next folder/file level.
- **Play/pause** goes **down** to next level, or **enters** file/song
- When in folder/file list, **double arrows** scroll up and down the folders/files.
- To enter a selected folder or file **press Play/Pause**. This takes you **down** to the next level, **or into** the file/song if it is the last level.
- When entering any folder/file list if no other key is pressed within 15 seconds of entry then player reverts to playing the last file/song.
- Once a file is playing. Pause and play as normal.
- As file progresses the clock indicates time progression, next to total file time.
- File name, eg song (and file number if so included in title) scrolls during play.
- Rewind/FF, **press and hold** double arrows. Time-progress forwards/backwards is shown.
- To skip to beginning of next or previous file, **short press** double arrows. (FF/REW).
- "Rec/red dot" button records from radio when Radio is in radio mode, and from microphone when Radio is in MP3 mode. Press to start recording, press to stop recording. Recording level is set automatically.
- To **play** recorded files, go to folder list, scroll to RECORD folder, enter folder (press play/pause). Files will be displayed numerically in the order that they were recorded. Scroll to desired file number and play by **short press** play/pause. (**Note NB:** long press play/pause at this stage will delete the recorded file).
- To **delete** recorded files, go to folder list, scroll to RECORD folder, enter folder (press play/pause). Files will be displayed numerically in the order that they were recorded. Scroll to desired file number to be **deleted** and delete by **long press** play/pause.

Encore Player Display Information

Player will select the last device inserted. To switch between USB stick and SD card, remove the one not in use.

LCD Display: Radio Mode

- Radio icon showing radio mode.
- Channel indication. Default setting is CH 00
- Band and frequency eg. FM 104.9 MHz

LCD Display: MP3 Mode

- Folder list (level 1)
- File list (level 2)
- File list (level 3)

LCD Display: MP3 playing

Top Line

- Music note icon showing MP3 mode
- Continuous play indication.
- File number currently playing, above total files on SD card, eg 0019/0183
- Tone setting, permanently set to normal
- MP3 bit rate of file playing eg.128/MP3 or 256/MP3

Middle and Bottom Lines

- Time progress and position, ie play-time progress of current file, compared to total file length eg. Present position is 04:15/06:23. (This tracks back and forth as FF and REW is used to navigate to any position on the file)
- File name scrolling. Eg. "Stories - Thomas the Tank Engine".

LOW BATTERY CAUTION

- To operate Player the battery needs to be properly charged.
- Radio mode draws less power than SD mode, and can tolerate a lower state of charge of the battery.
- For this reason, at lower battery states the user may experience acceptable radio playing, but unsatisfactory SD operation.
- If the display flickers, or there is other abnormal behaviour, it means that the battery needs to be recharged.
- This can be done by solar energy, or immediately, by winding the handle rapidly for 2 to 3 minutes.

FREEPLAY WARRANTY

Freeplay Energy Ltd. undertakes that, if within 2 (two) years of purchase, this product or any part thereof is proved to be defective by reason of faulty workmanship or materials, we will, at our option, repair or replace the same free of charge for labour or materials on condition that:

The original invoice or sales document is presented together with the defective unit.

The complete unit is returned to the manufacturer or country distributor, postage paid. For further contact information please see below.

The unit has not been serviced, maintained, repaired, taken apart or tampered with by any person not authorised by the manufacturer.

This warranty excludes damage caused by misuse or neglect.